

55A - Metric offset-ring wrenches

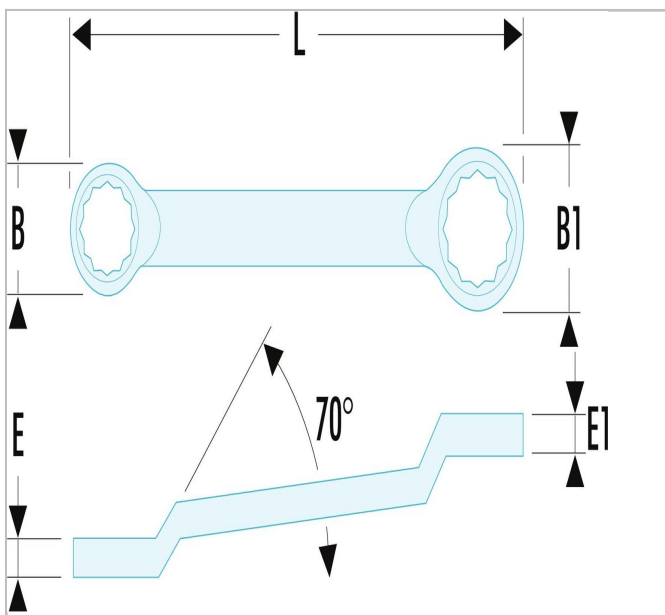



Standards:

NF ISO 1711-1, NF ISO 691, ISO 1711-1, ISO 691, DIN 838, DIN ISO 1711-1, DIN ISO 691

Description:

- Offset-ring wrenches: ring offset to clear fingers or obstacles. Ideal for series of nuts.
- OGV® profile with 12-point profile for powerful tightening while protecting the nut.
- Metric sizes: 6 to 50 mm.
- Presentation: satin chrome finish.



	A [mm]	Length L [mm]	Thickness E [mm]	Thickness E1 [mm]	Head Width B [mm]	Head Width B1 [mm]
55A.10X11	10x11	197.0	7.5	17	16.5	18.0
55A.11X13	11x13	217.0	8.9	9.2	18.0	21.0
55A.12X13	12x13	218.0	8.9	9.2	19.5	21.5
55A.13X15	13x15	238.0	9.2	9.7	21.5	23.5
55A.13X16	13x16	245.0	9.4	10.7	21.5	26.0
55A.13X17	13x17	245.0	9.4	10.7	21.0	26.0
55A.14X15	14x15	238.0	9.2	9.7	22.0	23.5
55A.16X17	16x17	258.0	10.7	11.2	25.7	27.0
55A.16X18	16x18	258.0	10.7	11.2	25.7	27.2
55A.17X19	17x19	290.0	11.2	12.2	27.0	29.7
55A.18X19	18x19	290.0	11.2	12.2	27.0	29.7
55A.18X21	18x21	296.0	11.7	12.7	29.0	33.0
55A.19X22	19x22	296.0	11.7	12.7	29.0	33.7
55A.20X22	20x22	316.0	12.2	13.2	32.0	35.0
55A.21X23	21x23	316.0	12.2	13.2	32.0	35.0
55A.22X24	22x24	324.0	12.2	13.2	33.7	36.7
55A.24X26	24x26	328.0	12.7	14.3	37.2	41.0
55A.24X27	24x27	328.0	12.7	14.3	37.2	41.2
55A.25X28	25x28	345.0	13.7	14.7	39.7	43.0
55A.26X28	26x28	345.0	13.7	14.7	39.7	43.0
55A.27X29	27x29	353.0	14.3	15.7	41.5	46.0
55A.27X30	27x30	353.0	14.3	15.7	41.5	46.0
55A.27X32	27x32	353.0	14.3	15.7	41.5	46.2
55A.30X32	30x32	360.0	15.2	16.7	45.3	48.7
55A.34X36	34x36	440.0	18.2	20.2	52.0	55.0
55A.36X41	36x41	440.0	18.2	20.2	53.7	61.7
55A.38X42	38x42	455.0	14.3	15.7	41.5	46.0

55A.46X50	46x50	510.0	20.7	21.7	70.7	76.7
55A.6X7	6x7	167.0	5.5	6.2	10.7	12.2
55A.7X8	7x8	172.0	5.5	6.5	12.0	14.0
55A.8X10	8x10	182.0	6.5	7.2	13.7	15.5
55A.8X9	8x9	182.0	6.5	7.2	13.7	15.5